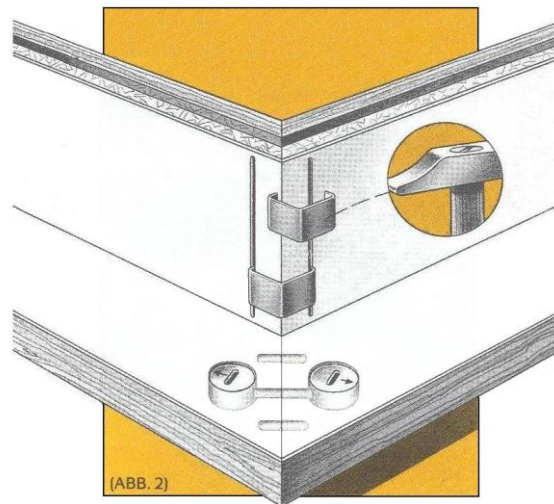
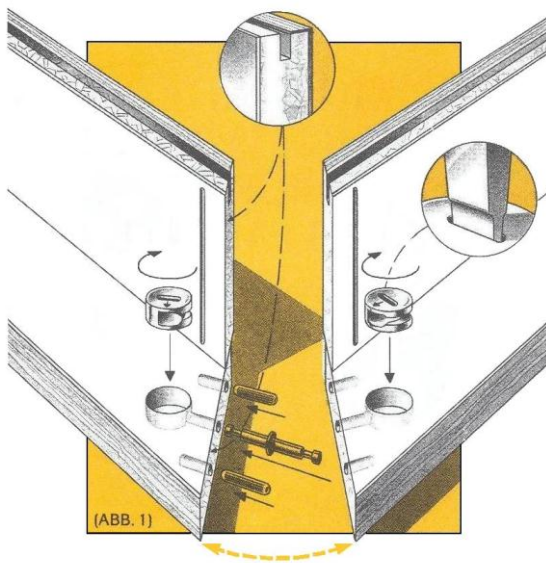


Installation manual for door frames

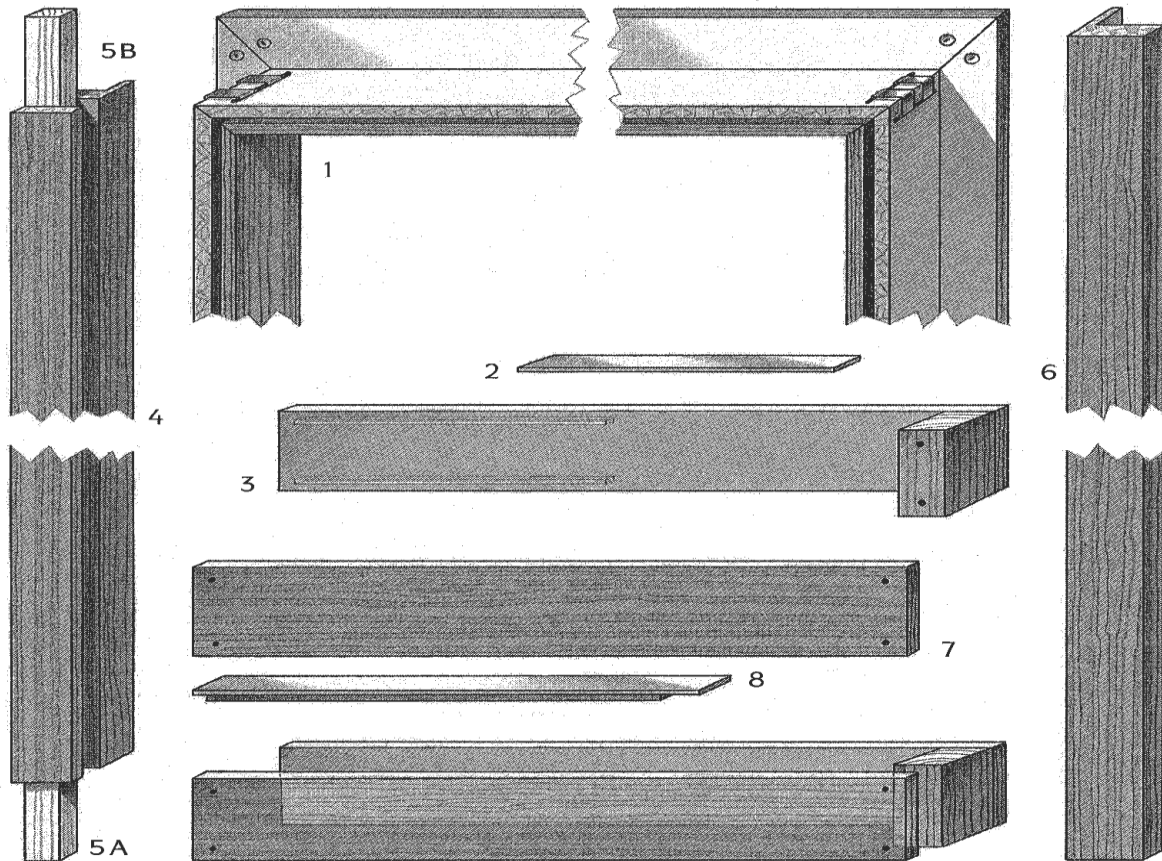
Before installation all parts to be checked. Already installed parts are not a subject of guarantee
Installation of parts;

1. Excenter (with arrow in upper direction), Install dowel and connection bolts in jambs, Turn excenter careful in right direction (Pic. 1) Install excenter in jambs of frame on the same way. Please note: Turn excenter careful maximum 90 degrees to secure correct and smooth connection of jambs and framehead.
2. Install framehead and jambs. First Excenter in frame, turn carefully, Connect mitre joints of framehead and jambs correctly, Install excenters cross wise tightly. Install steel clamps with Hammer (Pic. 2)
3. Assemble the backpart of the frame, described 1 and 2. To improve connection we recommend to put a little bit glue into the grooves. Be careful with filling of the grooves and prevent that glue will come on the finish of the element.
In case of white elements there will be a black groove visible which can not be prevented.
4. Cover wall opening with place bars between the architraves and foam the framepart on the position of hinges and closing points.
5. The Door frame must be protected on the bottom side with silicon in order to prevent moisture problems afterwards.



Installation manual for sliding door sets

(Sliding before the wall – left and right sliding usable) Picture shows door in right direction.



1. Sub frame (1) to be installed leveled
2. Spring (2) to be cut and glued into the frame head
3. Connect back part (3) and stop jambs (4) and stop left (5a) aswell stop right (5b)
4. Glue back part frame head (3) and stop jambs (4) with sub frame (1) glue frame part (6) Glue
5. Straight jambs (3) install sliding door hardware on the opening side.
6. Minimum distance must be 10 mm from upper side. (By Luxury sliding door distance shelf installing).
7. Hang up the door, levelled. Install hardware
8. Install panel (7) and Cover cap (8)